



www.iter-india.org

ITER-India, Institute for Plasma Research

Block A, Sangath SKYZ, Bhat- Motera Road, Koteshwar, Ahmedabad 380005 Gujarat, India. Ph.No.

: +91-79-23269656/9575 FAX : +91-79-23269591 / 9501

Email : purchase@iter-india.org

ENQUIRY - LOCAL

OFFICE COPY ENQUIRY NO : I-IEN19019
Date : 05/08/2019
Due Date : 27/08/2019 by 5:00 PM (IST)

We invite your rate/s for the following item/s. The Instructions to bidders and Terms & Conditions are attached herewith.

Important Note :

1. Enquiry No., Date & Due Date should appear on the envelope otherwise your offer will be rejected.
2. Address quotation only to the Purchase officer.
3. ITER-India, IPR is entitled to avail concessional rate of GST @ 5% (2.5% CGST and 2.5% SGST) as per Central Goods and Services Tax (CGST) Notification No. 45/2017-Central Tax (Rate) dated 14th November, 2017, State Goods and Services Tax (SGST) Notification No. 45/2017 – State Tax (Rate) dated 15th November, 2017 and IGST @5% as per Notification No. 47/2017-Integrated Tax (Rate) dated 14th November, 2017 for supply of Goods. Therefore, please consider GST in your quotation accordingly.

Sr No.	Material Description	Quantity	Unit
1	Epoxy blocks	70	NOS

Note :

- (1) Submit your quotation AT THE ABOVE ADDRESS.
- (2) Any clarification on this enquiry may be sought from the Purchase Officer, ITER-India
- (3) Quote with complete technical details.
- (4) Quotation should invariably be submitted in the attached format (Quotation Format) ONLY else ITER-India may not consider your offer.
- (5) Payment shall be made within 30 days from the date of final acceptance of ordered items of purchaser's site and on receipt of error free invoice and other necessary documents at our end.
- (6) Technical Specifications are given in the attached Annexure I (4 Pages).
- (7) Bidder shall sign & stamped each & every page of Enquiry and Annexure which will be considered as token of acceptance by the bidder.

Encl:- as above

Rakhi Dharamdasani
OFFICER-I (PURCHASE & STORES)
ITER-India (IPR)

TERMS AND CONDITIONS

1. The quotation and any order resulting from this enquiry shall be governed by our Conditions of Order and supplier quoting against this enquiry shall be deemed to have read and understood the same in to
2. Where counter terms and conditions have been offered by the Tenderer, the same shall not be deemed to have been accepted by ITER-India unless our specific written acceptance thereof is obtained.
3. Quotation: Your quotation superscripting our enquiry No., date, due date and brief description of item should be submitted to the Purchase Officer, ITER-India in sealed envelope on or before the due date. Late/ Delayed/incomplete quotations will not be considered. Envelopes received without Enquiry number, date, due date and brief description of item may be rejected. The quoted prices should be firm for a period of 90 days from due date for placing order. ITER-India is not bound to accept lowest rate/s. Bidders shall submit the price bid/offer on Bidder's letter head with official seal and sign on each page.
4. The bid documents shall be prepared in English language only
5. All pages of the bid documents shall be numbered. Each page of the bid document shall be stamped and initialized.
6. In the event of any date indicated above is a declared Holiday, the next working day with the same time limit shall become operative for the respective purpose mentioned herein
7. In case of deviation in payment terms including demand of advance other than specified in payment schedule and accepted by ITER-India, prevailing Prime Lending Rate (PLR) of SBI will be loaded for price comparison purpose
8. ITER-India and their authorized representatives may visit the Contractor/Sub-contractors if required as part of technical evaluation process
9. ITER-India reserves the right to place order on one or more parties.
10. Specifications: Material should be offered strictly conforming to our specifications/drawings, if any. Deviation, if any, should be clearly indicated by the supplier in their quotation. The Tenderer should also indicate the Make/Type number of the materials offered and catalogues, technical literature and samples, wherever necessary should accompany the quotation. Clarification/s on specifications/drawings should be obtained from Purchase Officer before submitting quotation.
11. Terms of Prices : Quotation should be submitted on door delivery basis, duly packed & insured without extra charge wherever possible.. In the case of Indian suppliers, the material is to be delivered at our stores free of charge duly packed & insured.
12. Unit rate/s should be valid throughout the validity of Purchase Order for addition/deletion purposes. Break-up of price should be furnished. The quoted price should not be subject to price escalation for whatsoever reasons. The quoted price shall be firm, fixed and non-revisable during the validity/ extended validity of Purchase Order.
13. Prices are required to be quoted according to the units indicated in the tender form/Enquiry. When Quotations are given in terms of units other than those specified in the tender form, relationship between the two sets of units must be furnished.
14. Tender should be free from Correction and Erasures. Corrections, if any, must be attested. All amounts shall be indicated both in words as well as in figures. Where there is difference between amounts quoted in words and figures, amount quoted in words shall prevail. Unsigned quotations will summarily be rejected.
15. ITER-India shall be under no obligation to accept the lowest or any tender and reserves the right of acceptance of the whole or any part of the tender or portion of the quantity offered and the tenderers shall supply the same at the rates quoted. ITER-India also reserves the right to split the order at its sole discretion.
16. Octroi is not applicable at present.
17. Delivery Date/Period: Delivery period is essence of the Order. Supplier must indicate the firm delivery date by which the materials will be dispatched / delivered by them from the date of our order.
18. Delivery period shall be clearly indicated against each item separately.
19. Inspection: Materials on its arrival at ITER-India will be inspected by our Engineer/Stores In-Charge, and his decision in the matter will be final. However, where the items are required to be inspected at the Suppliers Premises, Supplier has to give advance notice to the Purchaser regarding readiness of the material to enable Purchase/Stores section to depute his representative for inspection.
20. Payment: Payment will be arranged for accepted materials only within 30 days from the date of acceptance of materials at ITER-India and receipt of error free bills in our accounts section, complete in all respects.
21. No correspondence will be entertained within 30 days from the date of receipt of material and bills, whichever is later.
22. Warranty: The Stores/Items offered should be guaranteed for a minimum period of twelve months from the date of acceptance, against defective materials, design, workmanship, operation or manufacture. For defects noticed and communicated during the Guarantee period, replacement/rectification should be arranged free of cost within a reasonable period of such notification. In case where our specifications call for a guarantee period more than 12 months specifically, then such a period shall apply.
23. The Contractor/Supplier shall at all times indemnify the purchaser against all claims which may be made in respect of the stores for infringement of any right protected by Patent, Registration of design or Trade Mark and shall take all risk of accidents or damage, which may cause failure of supply from whatever cause arising and the entire responsibility for sufficiency of all means used by him for the fulfillment of the Order.
24. Successful tenderer will have to furnish in the form a Bank Guarantee or in Indemnity Bond form as called for by the Purchaser towards adequate security for the materials/property provided/issued by the Purchaser as Free Issue Material for the due execution of the Order. Insurance for the Free Issue Material shall be arranged by the Supplier/Contractor at his risk and cost.
25. Non-compliance to tender specifications and/or tender scope and/or tender terms and conditions are liable for rejection. Decision of ITER-India in respect of non-compliance shall be final and binding on the bidders.
26. Canvassing in any form with regard to this tender will lead to rejection of the bid.
27. The Project Director, ITER-India reserves the right to accept or reject any quotations fully or partly or to cancel the enquiry without assigning any reasons.
28. This enquiry is not a commitment and the Purchaser reserves the right to reject or cancel any or all offers.
29. Jurisdiction: The Order shall be governed by the Laws of India for the time being in force. The Courts of Ahmedabad/Gandhinagar only shall have jurisdiction to deal with and decide any legal or dispute arising out of this Order.
30. Unsuccessful bidders will not be intimated about the results of the enquiry/tender.
31. Purchase will not be responsible for payment of any interest to the Supplier, in case of delay in releasing payment.
32. The price evaluation shall be carried out on Landed price.

FORMAT FOR SUBMISSION OF QUOTATION

Enquiry No. : I-IEN19019
Name Of Party : OFFICE COPY
Quotation No. & Date :
Due on : 27/08/2019 by 5:00 PM (IST)

Sr No.	Material Description	Qty	Unit	Rate	Total
1	Epoxy blocks	70	NOS		
				Grand Total	

COMMERCIAL TERMS & CONDITIONS *

Sr.No	Description	Bidder's Compliance
1	Free delivery	Comply Yes/No (In case of No Please provide details)
2	Packing & Forwading (To Specify, If any)	
3	Delivery Period (To Specify)	
4	Payment:ITER-India payment terms will apply (Refer sr. No. 5 of Note)	Comply Yes/No (In case of No Please provide details)
5	Warranty (Refer Sr. No. 22 of Terms and Condition)	Comply Yes/No (In case of No Please provide details)
6	Validity Period (Refer Sr.No. 3 Of Terms and Condition)	Comply Yes/No (In case of No Please provide details)
7	GST (5% as per Sr. No. 3 of Important Note)	Comply Yes/No (In case of No Please provide details)
8	GST not included in quoted rate	Comply Yes/No (In case of No Please provide details)
9	GST No.	
10	HSN Code	
11	Discount(if any)	
12	Remarks	

* Fill in the applicable details

Place:

Authorised Signatory:

Date:

Company Seal

Annexure - I

Technical Specifications for G10 Blocks

1 Scope of Supply

Present technical specifications cover the supply of G10 Blocks as per following table.

S. No.	Item list	Quantity	Drawing No.
1	G10 Blocks-1	35	01-00-00-01
2	G10 Blocks-2	35	01-00-00-02

2 Material Requirements

G10 as per NEMA

Supplier shall submit the material certificate for the material G10 confirming the required material properties as per NEMA or equivalent standard, which shall include at least the following:

- Moisture absorption
- Flexural strength
- Compression strength
- Dielectric strength
- Dielectric constant(@ 1 MHz)

3 Cleaning

All the blocks shall be supplied in the cleaned condition which means there shall be no traces of oil or dust on the blocks when checked visually by wiping the lint free cloth on the block's surface.

4 Acceptance Requirements

- **Factory Acceptance Test**

- ✓ **Visual Inspection**

All finished parts shall be checked visually in the proper presence of light. Finished parts shall be free from any surface defects.

✓ **Dimensional Test**

Dimensional check shall be carried out on all the dimensions of the blocks. The dimensions shall conform to those of the drawings. Dimensional check shall be carried out by the supplier.

ITER-India shall witness all above specified tests.

• **Site Acceptance Test**

✓ **Visual Inspection**

All finished parts shall be checked visually in the proper presence of light. Finished parts shall be free from any surface defects.

5 Packaging and Transportation

During storage and transport all the components suitably cleaned before transportation shall be packed in new, clean, sealed polythene bags.

They shall be located in purpose built plywood containers to avoid damage during handling and transport and to provide medium term storage (up to 2-3 months) on Site. Desiccant elements shall be included in the packages, on the packaging all references to the contents and other information shall be clearly shown in English language, including at least:

- Contents description;
- Dimensions;
- Weight;
- Lifting Points.

Transport to Site

1. The blocks shall be delivered at the following address:

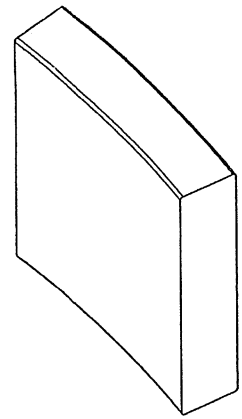
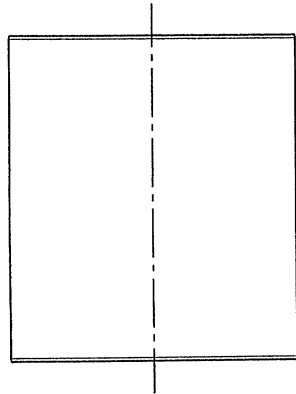
DNB Lab, ITER-India building, Institute for Plasma Research (IPR)

Bhat , Gandhinagar - 382428

Gujarat , India

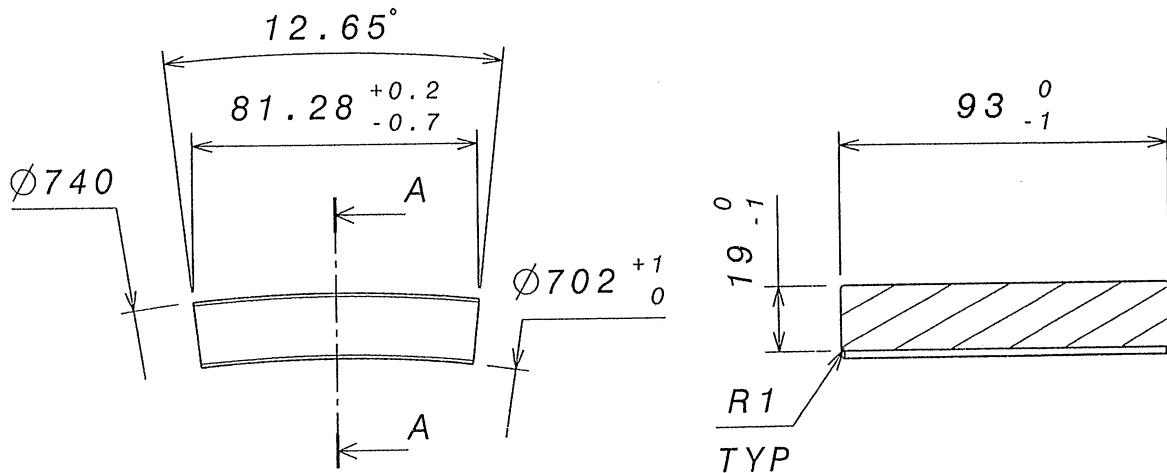
1 2 3 4

A



ISO View

B



Section A-A

MATERIAL: G10
QUANTITY: 35

NOTE :-

1. ALL DIMENSIONS ARE IN millimeters UNLESS STATED.
2. PART SHALL BE FREE FROM SHARP CORNERS, BURRS & SHARP EDGES.

LCA ITER ID			RELEASED BY		ITER INDIA (IPR) GANDHINAGAR			
USED ON			APPROVED BY		CONFIDENTIAL UNLESS AUTHORISED			
PBS TITLE			CHECKED BY		The information on this drawing is confidential under the terms of the ITER agreement. This information shall not be transmitted to anyone who is not authorised to receive it.			
REV DATE			CONTROLLED BY		DRAWING TITLE			
PT MATURITY			DRAWN BY		G10 BLOCK 1			
PT VERSION			PBS 3 LEVELS		DRAWING NUMBER			
SHEET SIZE			DRAWING NUMBER		01-00-00-01			
SCALE			SHEET		01			
297x210			REVISION		NNN			
1:2			STATUS		Z			
THIRD ANGLE PROJECTION			NO. OF SHTS		01			

1

4

1

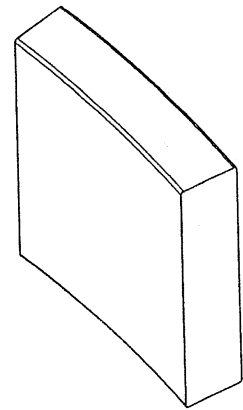
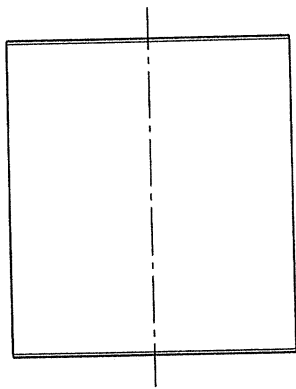
2

3

4

A

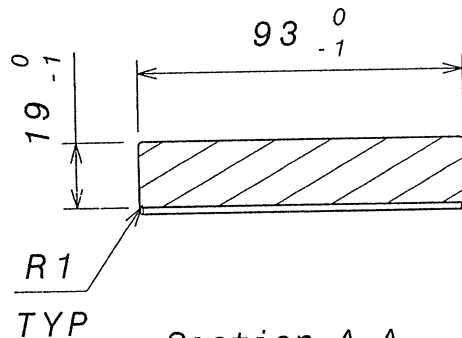
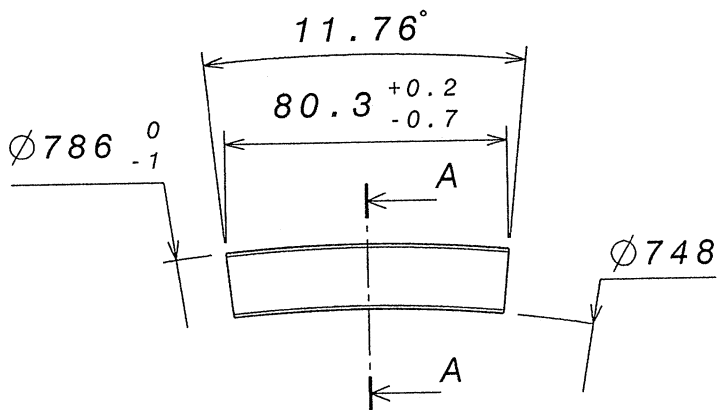
A



ISO View

B

B



Section A-A

C

C

MATERIAL : G10
QUANTITY : 35

NOTE :-

- 1. ALL DIMENSIONS ARE IN millimeters UNLESS STATED.
- 2. PART SHALL BE FREE FROM SHARP CORNERS, BURRS & SHARP EDGES.

LCA ITER ID			-		RELEASED BY	ITER INDIA (IPR) GANDHINAGAR					
USED ON			-		APPROVED BY	CONFIDENTIAL UNLESS AUTHORISED					
PBS TITLE			-		CHECKED BY	The information on this drawing is confidential under the terms of the ITER agreement. This information shall not be transmitted to anyone who is not authorised to receive it.					
REV DATE			PT MATURITY	PT VERSION	CONTROLLED BY	DRAWING TITLE					
-			AA	N	-	G10 BLOCK 2					
SHEET SIZE			SCALE		DRAWN BY	-					
297x210			1:2		-	-					
THIRD ANGLE PROJECTION					NO. OF SHTS	PBS 3 LEVELS	DRAWING NUMBER	01-00-00-02	SHEET	REVISION	STATUS
			01		-	-	-	01	NNN	Z	

1

4