



www.iter-india.org

ITER-India, Institute for Plasma Research

Block A, Sangath SKYZ, Bhat- Motera Road, Koteswar, Ahmedabad 380005 Gujarat, India.

Ph.No. : +91-79-23269656/9575 FAX : +91-79-23269591 / 9501

Email : purchase@iter-india.org

ENQUIRY - LOCAL

OFFICE COPY ENQUIRY NO : I-IEN21020
Date : 13/09/2021
Due Date : 05/10/2021 by 5:00 PM (IST)

We invite your rate/s for the following item/s. The Instructions to bidders and Terms & Conditions are attached herewith.

Important Note :

1. Enquiry No., Date & Due Date should appear on the envelope otherwise your offer will be rejected.
2. Address quotation only to the Purchase officer.
3. ITER-India, IPR is entitled to avail concessional rate of GST @ 5% (2.5% CGST and 2.5% SGST) as per Central Goods and Services Tax (CGST) Notification No. 45/2017-Central Tax (Rate) dated 14th November, 2017, State Goods and Services Tax (SGST) Notification No. 45/2017 – State Tax (Rate) dated 15th November, 2017 and IGST @5% as per Notification No. 47/2017-Integrated Tax (Rate) dated 14th November, 2017. Therefore, please consider GST in your quotation accordingly.

Sr No.	Material Description	Quantity	Unit
1	Earthing pit -Chemical pipe in pipe type as per attached technical specification.	1	NOS

Note :

- (1) Submit your quotation in hard copy (sealed envelope superscribing enquiry no and due date) AT THE ABOVE ADDRESS.
- (2) Any clarification on this enquiry may be sought from the Purchase Officer, ITER-India
- (3) Quote with complete technical details.
- (4) Quotation should invariably be submitted in the attached format (Quotation Format) ONLY else ITER-India may not consider your offer.
- (5) Bidders are requested to fill the column of vendor's Specification as per Annexure-2 & Annexure-4 of Annexure-A (duly signed and stamped) and return back along with the offer. This will be considered as acceptance of bidder on Annexure-A.
- (6) Payment shall be made within 30 days from the date of final acceptance of ordered items of purchaser's site and on receipt of error free invoice and other necessary documents at our end.
- (7) Bidder under the category of Micro & Small Enterprise (MSE) for the quoted item/services shall attach MSE certificate. Under MSE category, only manufacturers for goods and Service Providers for Services are eligible under the policy. Traders are excluded from the purview of this Policy. Purchase Preference will be given to the qualified bidders under MSE Category as per applicable Government guidelines at the time of bid evaluation.
- (8) GEM Availability Report Id: GEM/GARPTS/13082021/N6OQTILOIPEG dated 13.08.2021.
- (9) Udhog Aadhar No. & Category (Micro/Small Enterprise, Also specify firm is owned by SC/ST/Woman/General)
- (10) Site to be visited and details to be entered as per Appendix-I & to be submitted along with offer. Bidder can contact Mr. Vishnudev M. N. (M) 09428197192 before visiting the site.

Encl:- as above


Rakhi Dharamdasani

Sr. Officer (Purchase & Stores)

ITER-India (IPR)

TERMS AND CONDITIONS

1. The quotation and any order resulting from this enquiry shall be governed by our Conditions of Order and supplier quoting against this enquiry shall be deemed to have read and understood the same into
2. Where counter terms and conditions have been offered by the Tenderer, the same shall not be deemed to have been accepted by ITER-India unless our specific written acceptance thereof is obtained.
3. Quotation: Your quotation superscribing our enquiry No., date, due date and brief description of item should be submitted to the Purchase Officer, ITER-India in sealed envelope on or before the due date. Late/Delayed/incomplete quotations will not be considered. Envelopes received without Enquiry number, date, due date and brief description of item may be rejected. The quoted prices should be firm for a period of 90 days from due date for placing order. ITER-India is not bound to accept lowest rate/s. Bidder shall submit the price bid/offer on Bidder's letter head with official seal and sign on each page.
4. The bid documents shall be prepared in English language only
5. All pages of the bid documents shall be numbered. Each page of the bid document shall be stamped and initialized.
6. In the event of any date indicated above is a declared Holiday, the next working day with the same time limit shall become operative for the respective purpose mentioned herein
7. In case of deviation in payment terms including demand of advance other than specified in payment schedule and accepted by ITER-India, prevailing Prime Lending Rate (PLR) of SBI will be loaded for price comparison purpose
8. ITER-India and their authorized representatives may visit the Contractor/Sub-contractors if required as part of technical evaluation process
9. ITER-India reserves the right to place order on one or more parties.
10. Specifications: Material should be offered strictly conforming to our specifications/drawings, if any. Deviation, if any, should be clearly indicated by the supplier in their quotation. The Tenderer should also indicate the Make/Type number of the materials offered and catalogues, technical literature and samples, wherever necessary should accompany the quotation. Clarification/s on specifications/drawings should be obtained from Purchase Officer before submitting quotation.
11. Terms of Prices: Quotation should be submitted on door delivery basis, duly packed & insured without extra charge wherever possible.. In the case of Indian suppliers, the material is to be delivered at our stores free of charge duly packed & insured.
12. Unit rate/s should be valid throughout the validity of Purchase Order for addition/deletion purposes. Break-up of price should be furnished. The quoted price should not be subject to price escalation for whatsoever reasons. The quoted price shall be firm, fixed and non-revisable during the validity/ extended validity of Purchase Order.
13. Prices are required to be quoted according to the units indicated in the tender form/Enquiry. When Quotations are given in terms of units other than those specified in the tender form, relationship between the two sets of units must be furnished.
14. Tender should be free from Correction and Erasures. Corrections, if any, must be attested. All amounts shall be indicated both in words as well as in figures. Where there is difference between amounts quoted in words and figures, amount quoted in words shall prevail. Unsigned quotations will summarily be rejected.
15. ITER-India shall be under no obligation to accept the lowest or any tender and reserves the right of acceptance of the whole or any part of the tender or portion of the quantity offered and the tenderers shall supply the same at the rates quoted. ITER-India also reserves the right to split the order at its sole discretion.
16. Octroi is not applicable at present.
17. Delivery Date/Period: Delivery period is essence of the Order. Supplier must indicate the firm delivery date by which the materials will be dispatched/delivered by them from the date of our order.
18. Delivery period shall be clearly indicated against each item separately.
19. Inspection: Materials on its arrival at ITER-India will be inspected by our Engineer/Stores In-Charge, and his decision in the matter will be final. However, where the items are required to be inspected at the Suppliers Premises, Supplier has to give advance notice to the Purchaser regarding readiness of the material to enable Purchase/Stores section to depute his representative for inspection.
20. Payment: Payment will be arranged for accepted materials only within 30 days from the date of acceptance of materials at ITER-India and receipt of error free bills in our accounts section, complete in all respects.
21. No correspondence will be entertained within 30 days from the date of receipt of material and bills, whichever is later.
22. Warranty: The Stores/Items offered should be guaranteed for a minimum period of twelve months from the date of acceptance, against defective materials, design, workmanship, operation or manufacture. For defects noticed and communicated during the Guarantee period, replacement/rectification should be arranged free of cost within a reasonable period of such notification. In case where our specifications call for a guarantee period more than 12 months specifically, then such a period shall apply.
23. The Contractor/Supplier shall at all times indemnify the purchaser against all claims which may be made in respect of the stores for infringement of any right protected by Patent, Registration of design or Trade Mark and shall take all risk of accidents or damage, which may cause failure of supply from whatever cause arising and the entire responsibility for sufficiency of all means used by him for the fulfillment of the Order.
24. Successful tenderer will have to furnish in the form a Bank Guarantee or in Indemnity Bond form as called for by the Purchaser towards adequate security for the materials/property provided/issued by the Purchaser as Free Issue Material for the due execution of the Order. Insurance for the Free Issue Material shall be arranged by the Supplier/Contractor at his risk and cost.
25. Non-compliance to tender specifications and/or tender scope and/or tender terms and conditions are liable for rejection. Decision of ITER-India in respect of non-compliance shall be final and binding on the bidders.
26. Canvassing in any form with regard to this tender will lead to rejection of the bid.
27. The Project Director, ITER-India reserves the right to accept or reject any quotations fully or partly or to cancel the enquiry without assigning any reasons.
28. This enquiry is not a commitment and the Purchaser reserves the right to reject or cancel any or all offers.
29. Jurisdiction: The Order shall be governed by the Laws of India for the time being in force. The Courts of Ahmedabad/Gandhinagar only shall have jurisdiction to deal with and decide any legal or dispute arising out of this Order.
30. Unsuccessful bidders will not be intimated about the results of the enquiry/tender.
31. Purchase will not be responsible for payment of any interest to the Supplier, in case of delay in releasing payment.
32. The price evaluation shall be carried out on Landed price.

FORMAT FOR SUBMISSION OF QUOTATION

Enquiry No. : I-IEN21020
NameOfParty : OFFICECOPY
Quotation No. & Date :
Due on : 05/10/2021 by 5:00 PM (IST)

Sr No.	Material Description	Qty	Unit	Rate	Total
1	Earthing pit-Chemical pipe in pipe type as per attached technical specification.	1	NOS		
				Grand Total	

COMMERCIAL TERMS & CONDITIONS *

Sr.No	Description	Bidder's Compliance
1	Free Door delivery	
2	Packing & Forwarding (To Specify, if any)	
3	SafeDelivery Charges (Please mention if not included in rate mention above)	
4	Delivery Period (To Specify)	
5	Payment: I TER-India payment terms will apply (Refer Sr. No. 6 of Note)	Comply Yes/No (In case of No Please provide details)
6	Warranty (Refer Sr. No. 22 of Terms and Conditions)	Comply Yes/No (In case of No Please provide details)
7	Validity Period (Refer Sr.No. 3 Of Terms and Condition)	Comply Yes/No (In case of No Please provide details)
8	GST (Not to be included in quoted rates)	
9	GST(Refer Sr.No. 3 of Important Note)	Comply Yes/No (In case of No Please provide details)
10	GST Registration No. (To specify)	
11	Udhyog Aadhar No. & Category (Micro/Small Enterprise, Also specify firm is owned by SC/ST/Woman/General)	
12	Discount(if any)	
13	Remarks	

* Fill in the applicable details

Place:

Authorised Signatory:

Date:

Company Seal



Technical Specification for Supply and Installation of Earthing Pit - Chemical Pipe in Pipe type

1. **Introduction:** This work need to be executed at DNB Lab, ITER-India Laboratory Building, IPR, Bhat Gandhinagar. The bidder may visit the site before submitting their bid.

2. **Site Location :** DNB Lab, ITER-India Lab. Building, Institute for Plasma Research, Bhat, Gandhinagar

3. **Scope of Work:**

The scope of the work includes following,

Installation & Testing of one maintenance free chemical type earthing electrode pit (Copper Pipe in Pipe Type Electrode) as per specifications mentioned in Sr.6.

A. Supply of chemical earthing electrode, Soil resistivity decrease compound, Earth pit lid and supporting accessories (e.g. Wire, Nut-bolt, Connectors-clamp etc.) and other required items for successful installation of one earthing pit

All material shall meet applicable IS Standard and Specification

B. Preparation/Installation of Chemical type earth electrode, openable earthing pit chamber and associated earth/civil works/electrical work/painting- nomenclature work for estimated job

C. Openable earthing pit chamber/enclosure shall meet applicable standard and quality e.g. (Outdoor use, UV resistant, corrosion resistant, durability, adequate space inside of chamber for easy connection with earth electrode, factory built holes for accessing strips/ wires easily etc.)

D. 300 Sq. mm cross section (Copper) bus bar needed to be taken out side of earth pit with proper laying, fixing and covering for connecting earthing with system as required by ITER-India.

E. Joint between Bus bar and Earth electrode should overlap and tighten properly and all joints should be protected by a heavy coat of bitumen.

F. Measurement of earth resistance of earth pit with calibrated earth tester. (Proper testing equipment, tools to be arranged by vendor for testing)

G. Before work commencement required drawing (with specification, dimension, layout etc.), test report related to earth electrode, soil resistivity decrease compound, etc if applicable. shall be submitted to ITER-India for prior approval. In case of any modification, clarification, holding points, and doubts, prior approval of ITER-India is required.

H. Any other material/service required of successful completion of work.

I. Civil Work:

a. For installation of earthing electrode civil work (excavation) will be done in such way that it should not affect surrounding area (excavation by proper boring tools/machine) and after installation site need to be restored as it was. (E.g. Removed paver block need to re-installed/arranged properly in nearby space, cementing work where ever required, Cleaning etc.)

b. The tentative location/site of the earthing pits is shown in Annexure-1.

J. Tentative schematic of earthing pit for understanding only refer Annexure-3

4. **Applicable Standards:**

Earthing system shall follow commissioning and testing as per IS 3043 guidelines.

Note: Sign & stamp of bidder required on each page of duly filled Annexure-A



Annexure-A Technical Specification of Supply and Installation of Earthing Pit - Chemical Pipe in Pipe type

Enq. No.: I-IEN21020

5. Measurement of earth resistance:

The resistance of individual earth pits and complete earth system shall be measured as per IS 3043 and it shall be ≤ 1 ohm (with tolerance of 10% on higher side) approximate.

6. Technical Specification for Earthing Electrode and Pit

Sr. No	Description	Specification
1	Earth Electrode	Pipe In Pipe type chemical earth electrode
2	Earth Electrode Material	Copper earthing electrode (no copper coating)
3	Electrode Length	3000 mm
4	Outer Shell Diameter	≥ 75 mm
5	Outer Shell Thickness	2 ± 0.5 mm
6	Inner Shell Diameter	≥ 40 mm
7	Inner Shell Thickness	2 ± 0.5 mm
8	Backfilled Compound	With sufficient qty.
9	Preparation/Installation of chemical Earth Electrode/Pit with all Support accessory and service (Civil /Electrical/Painting work.)	Vendor scope
10	Chamber and Lid	Top openable chamber for outdoor application (UV resistant, corrosion resistant, durability, adequate space inside of chamber for easy connection with earth electrode, factory built holes for accessing strips/ wires easily)
11	Electrode Property	Anticorrosive and suitable for harsh environment
12	Warranty/Guarantee	Min. 1 year
13	Earth Electrode Short Circuit Current withstand Capacity	50 kA for 1 Sec.
14	Bus bar for Connection	300 Sq. mm, copper with copper nut, bolt and washer for connection

7. General Terms & Conditions :

- ✓ Loading, unloading, transportation, packaging will be under the scope of supplier.
- ✓ Bidders are requested to fill Annexure-2 and Annexure 4 while submitting the quote.
- ✓ Suppliers/Vendor shall bring all the tools, equipment's and necessary items for complete work.
- ✓ 3 phase and 1 Phase Power Socket are available at DNB Lab can be used for taking power (Extension wire, plug and other Item need to be in arranged by vendor for Power Connection)

Note: Sign & stamp of bidder required on each page of duly filled Annexure-A



8. Safety Code:

- 8.1 The contractor shall cover his employees/workers under PF, ESI, personal accident insurance policy and applicable laws. Contractor has to submit PF details, ESI No. and insurance policy documents of all employees before commencement of the work.
- 8.2 The contractor shall be fully responsible for the behavior, conduct, theft and any breach at security etc. by his personnel and workers.
- 8.3 The contractor shall comply with all Govt. rules & regulations for his staff in regard to maintain the applicable labor laws, their amendments etc. in force from time to time.
- 8.4 The contractor shall comply with the instructions given by the engineer in charge, regarding safety regulations, safety precautions, protective measures, clean-up practices, housekeeping etc.
- 8.5 The contractor shall ensure adequate safety precautions at site as required under the law of land. Contractor must be entirely responsible for safety of their personnel and provide them safety helmets, safety shoes, other safety gadgets as required and prescribed.

9. Accident/Third Party Liability:

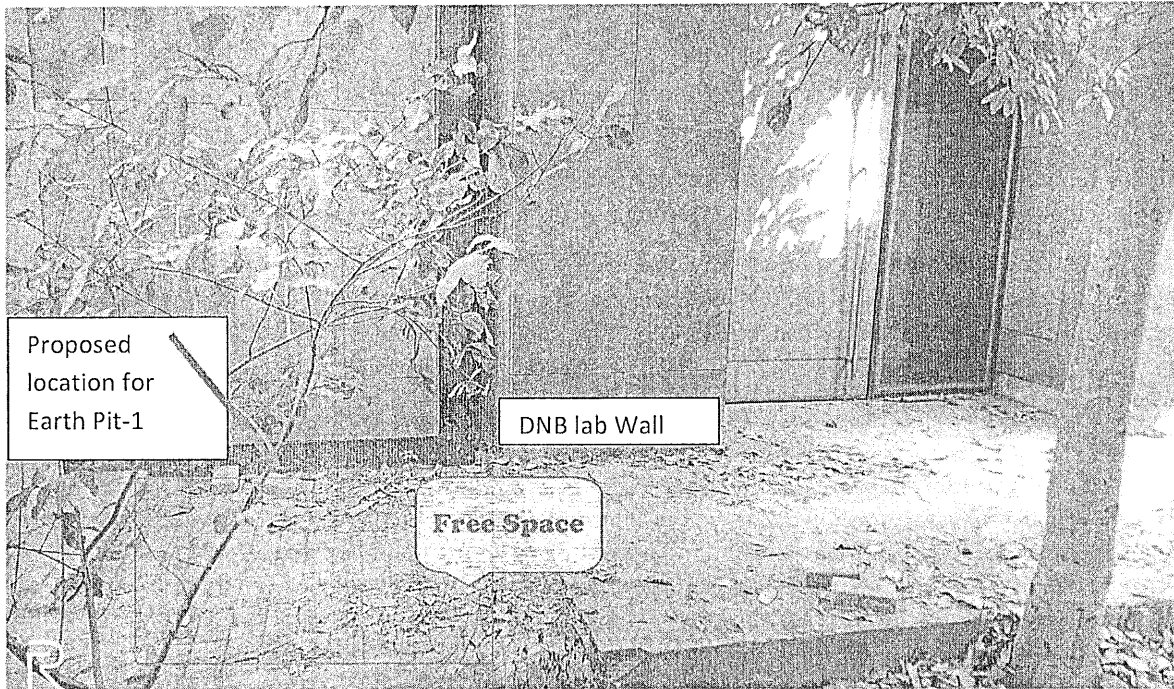
The Service Provider will take all possible precautions to avoid damage to the Purchaser's property during its onsite activities. Service Provider shall also take insurance covering third party liability for the personnel and equipments and/or tools deployed at Purchaser's site against all risks, such as injuries, loss of life etc. Service Provider will be fully responsible for payment of compensation. In the event of loss and/or damage to Purchaser's property / any item(s) / equipment and/or injury or loss of life to Purchaser's personnel during the course of onsite activities due to the Service Provider's default. Service Provider will be fully responsible and liable for such damages and/or losses and payment of appropriate compensation as assessed by the Purchaser. Service Provider will relieve the Purchaser from all the risk and liabilities under this clause.

10. Termination for Default:

- 10.1 Termination of Contract/Purchase Order for default
 - 10.1.1 The Purchaser may, without prejudice to any other remedy for breach of Contract/Purchase Order, by written notice of default sent to the Contractor/Supplier, terminate the Contract/Purchase Order in whole or in part in circumstance detailed hereunder:
 - 10.1.2 If the Contractor/Supplier fails to supply/provide any or all of the deliverable items, within the time period(s) specified in the Contract/Purchase Order or any extension thereof granted by the Purchaser or within the period (10 weeks) till which the maximum LD amount is reached.
 - 10.1.3 If the Contractor/Supplier fails to perform any other obligation(s) under the Contract/Purchase Order within the period specified in the Contract/Purchase Order or any extension thereof granted by the Purchaser



Annexure-1: Photo of Tentative Site location

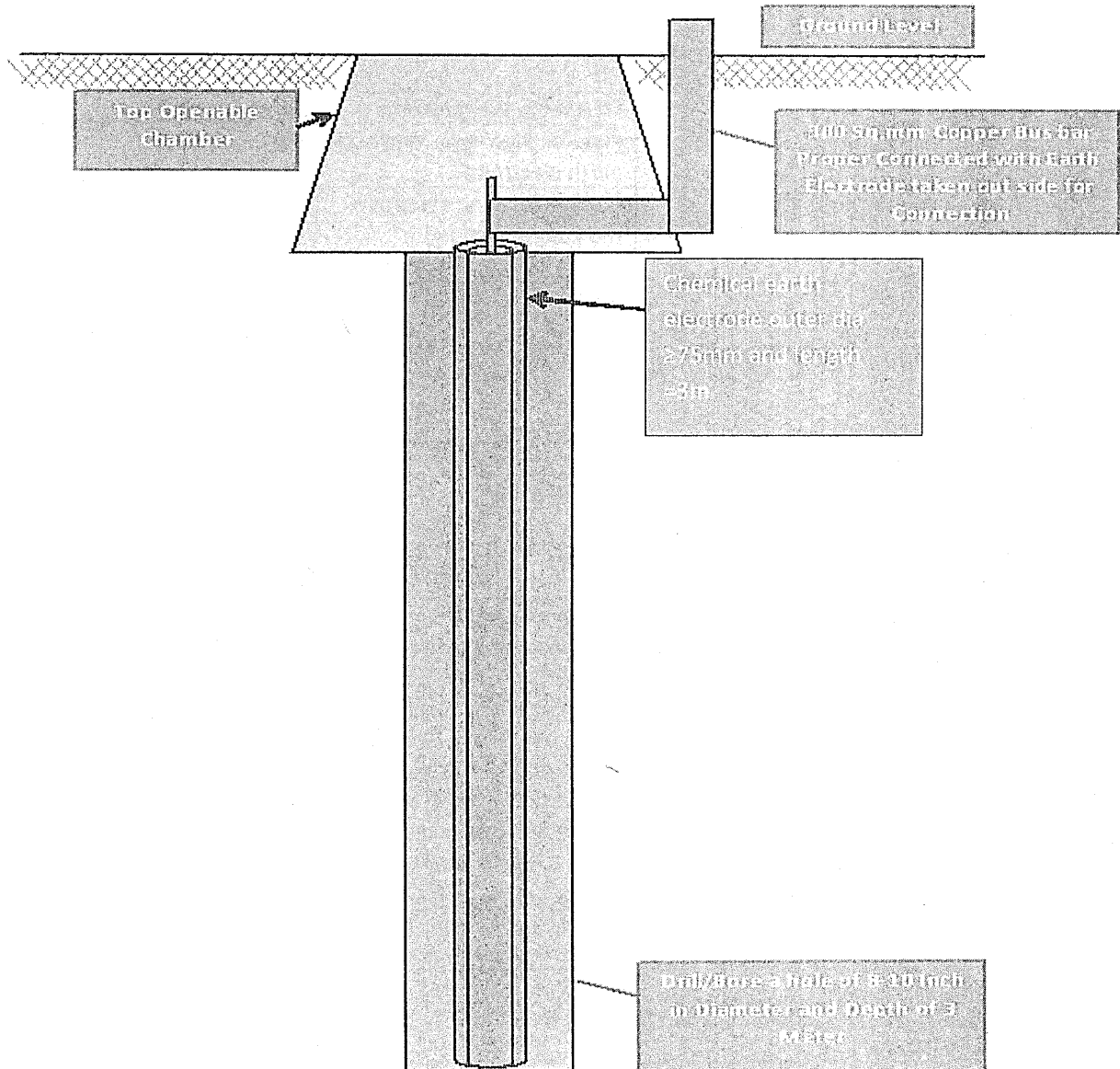


Annexure: 2

(To be submitted by the bidder with quotation)

Description	Compliance (Yes/No)
Do you agree with General Terms and conditions?	
Do you comply with technical specifications?	
Do you comply with scope of work? And work description?	
Did you visit site before submitting the quotation?	

Annexure -3 (Tentative Schematic of Chemical Pipe in pipe type Earthing Pit for Reference only)





Annexure-A Technical Specification of Supply and Installation of Earthing Pit - Chemical Pipe in Pipe type

Enq. No.: I-IEN21020

Annexure:4

(To be submitted by the bidder with quotation)

Sr. No	Description	ITER India Specification	M/s
1	Earth Electrode	Pipe In Pipe type chemical earth electrode	
2	Earth Electrode Material	Copper earthing electrode (no copper coating)	
3	Electrode Length	3000 mm	
4	Outer Shell Diameter	≥75 mm	
5	Outer Shell Thickness	2 ±0.5 mm	
6	Inner Shell Diameter	≥40mm	
7	Inner Shell Thickness	2 ±0.5 mm	
8	Backfilled Compound	With sufficient qty.	
9	Preparation/Installation of chemical Earth Electrode/Pit with all Support accessory and service (Civil /Electrical/Painting work.)	Vendor scope	
10	Chamber and Lid	Top openable chamber for outdoor application (UV resistant, corrosion resistant, durability, adequate space inside of chamber for easy connection with earth electrode, factory built holes for accessing strips/ wires easily)	
11	Electrode Property	Anticorrosive and suitable for harsh environment	
12	Warranty/Guarantee	Min. 1 year	
13	Earth Electrode Short Circuit Current withstand Capacity	50 kA for 1 Sec.	
14	Bus bar for Connection	300 Sq. mm, copper with copper nut, bolt and washer for connection	

Bidder Signature

Name of the signatory & Title

Name

Title

Bidder's Official seal

Place & Date

Place

DD-MM-YYYY

Note: Sign & stamp of bidder required on each page of duly filled Annexure-A



Appendix -I Site Visit Certificate

Date:

Enquiry / Bid No.	
Date	
Item Description	
Due Date for Bid submission	

This is to confirm that

Mr.

of Messrs.

has / have visited the site at ITER-India Lab, Institute for Plasma Research on

				2	0	2	1
--	--	--	--	---	---	---	---

to understand the scope of supply, work, technical specifications and get acquainted with the tender requirements related to above mentioned enquiry / tender.

Bidder's Signature:

Date:

Coordinator, ITER-India, IPR

Signature:

Date:

Note: Sign & stamp of bidder required on each page of duly filled Annexure-A